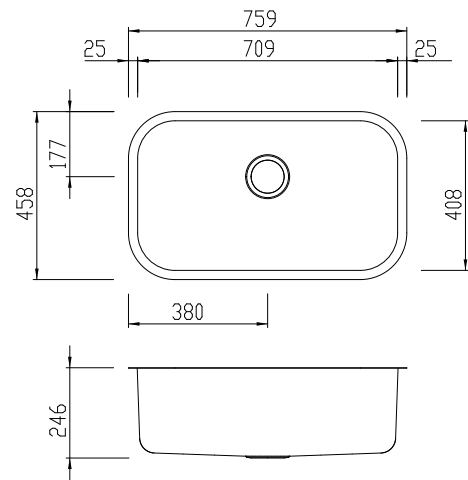


TN890U

Titan

Oliveri®



INCLUDED ACCESSORIES



RECOMMENDED TAPWARE



OPTIONAL ACCESSORIES



SPECIFICATIONS

Description

Titan bowl undermount sink

Sink Size

759W x 458H

Titan Bowl

710W x 405H x 255D / 65L

Construction

Single piece (sound pads applied)

Material

304 grade, 18/10 polished stainless steel (0.8mm thick)

Installation

Undermount recommended.

Fixings

n/a

Cut Out Template

oliverisinks.com

Min Cabinet Size

800mm

Tap holes

n/a

Waste fittings

1 x 90mm basket waste included

Overflow

Special order option

Carton Size

902 x 627 x 277mm

Weight

11.0kg

Warranty

Lifetime manufacturer's warranty (refer to oliverisinks.com)

For more information call **1300 13 7465** or visit **www.oliverisinks.com**

