

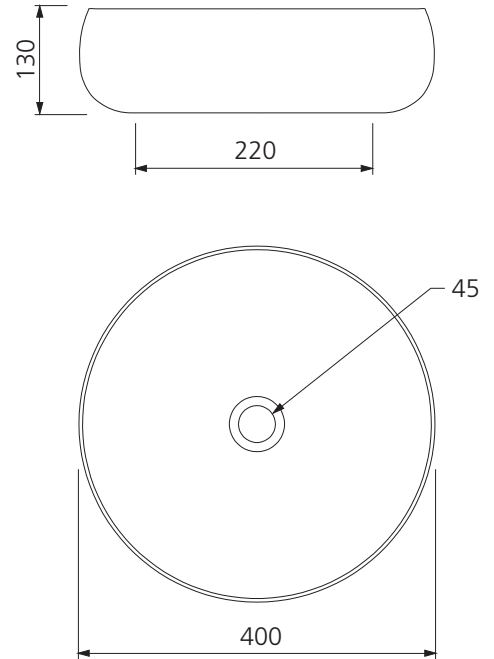
# Terzofoco

Italian made 

All dimensions in mm

**TZ0302EB**

Light Earth and Matte Black Curved Counter Top Basin



## Specifications /

<b>Basin Size</b>	400W x 400H x 130D mm
<b>Bowl capacity</b>	8.0 L
<b>Waste outlet</b>	Pop up waste sold separately
<b>Overflow</b>	Not available
<b>Material</b>	Raku clay
<b>Colour</b>	Light Earth and Matte Black
<b>Installation</b>	Counter top
<b>Weight</b>	10 kg
<b>Carton size</b>	475W x 475H x 250D mm
<b>Warranty</b>	Lifetime manufacturer's warranty (refer to <a href="http://oliveri.com.au">oliveri.com.au</a> )
<b>Maintenance and care instructions</b>	Each basin in this collection is handmade. In order to preserve the appearance and durability of the product, all surfaces should be cleaned gently with a mild liquid detergent or soap and water. Rinse away any trace of detergent and dry with a clean soft cloth. Do not allow materials such as toothpaste, nail polish remover, caustic drain cleaner, alcohol or bleach to remain on the surface, they may damage the finish. Use of unsuitable cleaning agents may also damage the surface. Any damage caused in this way will not be covered by warranty.



For more information call 08 8348 6444 or visit [oliveri.com.au](http://oliveri.com.au)