

SPHERE 600DB

LED MIRROR

PRODUCT CODE

S60DB

SPECIFICATIONS

WIDTH	600mm
HEIGHT	600mm
DEPTH	40mm
WEIGHT	9kg

FEATURES

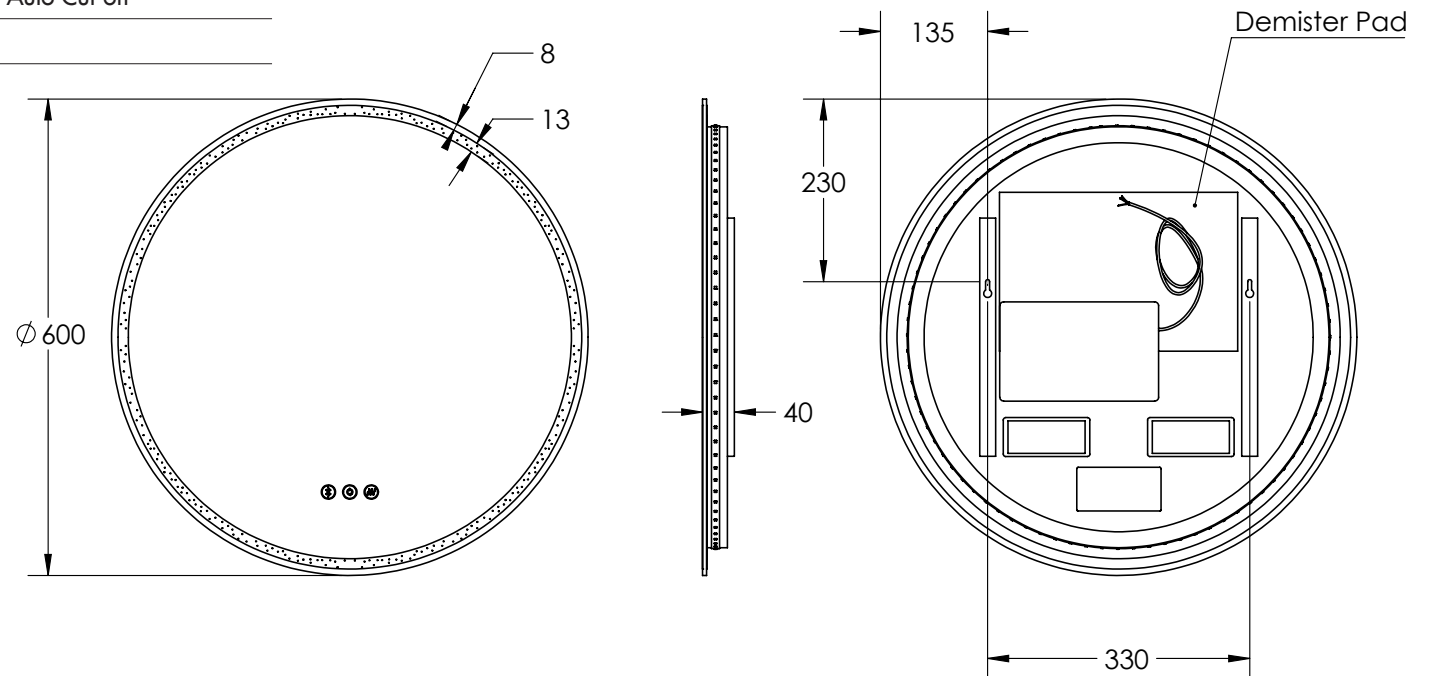
Copper Free Mirror
LED Lighting (Adjustable Colour Temperature)
Backlit
Touch Sensor
Demister with 1 Hour Auto Cut-off
Bluetooth Speakers

LIGHTING SPECIFICATIONS

CCT	2700K - 6500K
CRI	>80

INSTALLATION

Wall mount
Hardwire
Input voltage: 220-240v 50Hz



Disclaimer: All LED Products requiring hardwiring must be installed by a licensed electrician in accordance with local regulations. Sizes are in mm and nominal and should be checked prior to installation. Actual colours may vary so please check colour samples before ordering. Installation is acceptance of our products. Installation of faulty, warped, chipped or damaged products will void our warranty.

SPHERE 600DB

LED MIRROR

SPECIFICATIONS

WIDTH	610mm
HEIGHT	610mm
DEPTH	40mm
WEIGHT	10kg

LIGHTING SPECIFICATIONS

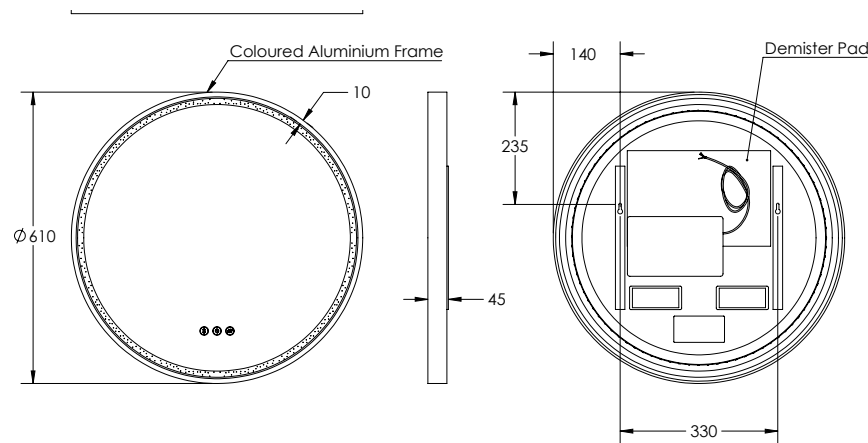
CCT	2700K - 6500K
CRI	>80

INSTALLATION

Wall mount
Hardwire
Input voltage: 220-240v 50Hz

FEATURES

Copper Free Mirror
LED Lighting (Adjustable Colour Temperature)
Frontlit
Touch Sensor
Demister with 1 Hour Auto Cut-off
Bluetooth Speakers
Coloured Aluminium Frame



FINISHES

PRODUCT CODE

Matt Black



S60DB-MB

Gun Metal



S60DB-GM

Brushed Nickel



S60DB-BN

Rose Gold



S60DB-RG

Brushed Brass



S60DB-BB



Disclaimer: All LED Products requiring hardwiring must be installed by a licensed electrician in accordance with local regulations. Sizes are in mm and nominal and should be checked prior to installation. Actual colours may vary so please check colour samples before ordering. Installation is acceptance of our products. Installation of faulty, warped, chipped or damaged products will void our warranty.

SPHERE 600DB

LED MIRROR

SPECIFICATIONS

WIDTH	660mm
HEIGHT	660mm
DEPTH	50mm
WEIGHT	18kg

LIGHTING SPECIFICATIONS

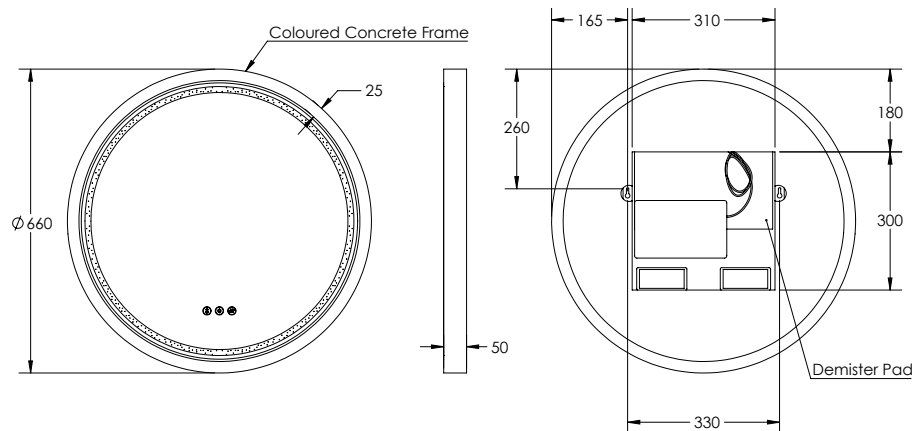
CCT	2700K - 6500K
CRI	>80

INSTALLATION

Wall mount
Hardwire
Input voltage: 220-240v 50Hz

FEATURES

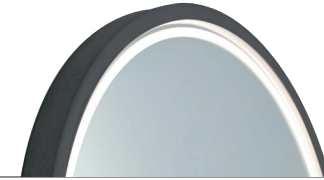
Copper Free Mirror
LED Lighting (Adjustable Colour Temperature)
Frontlit
Touch Sensor
Demister with 1 Hour Auto Cut-off
Bluetooth Speakers
Coloured Concrete Frame



FINISHES

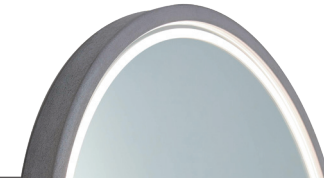
PRODUCT CODE

Coal



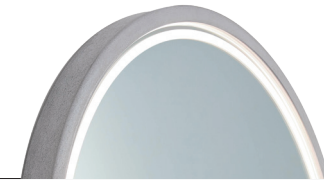
S60DB-CC

Stone



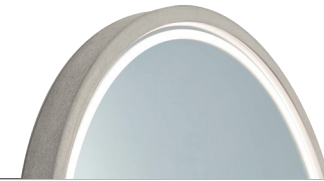
S60DB-CS

Nickel



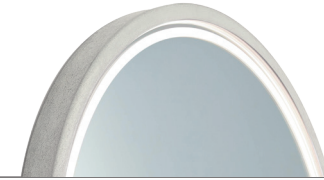
S60DB-CN

Taupe



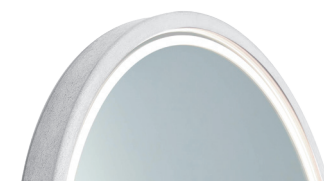
S60DB-CT

Desert



S60DB-CD

Ash



S60DB-CA



Disclaimer: All LED Products requiring hardwiring must be installed by a licensed electrician in accordance with local regulations. Sizes are in mm and nominal and should be checked prior to installation. Actual colours may vary so please check colour samples before ordering. Installation is acceptance of our products. Installation of faulty, warped, chipped or damaged products will void our warranty.