

SPHERE 600D

LED MIRROR

SPECIFICATIONS

WIDTH	610mm
HEIGHT	610mm
DEPTH	40mm
WEIGHT	10kg

LIGHTING SPECIFICATIONS

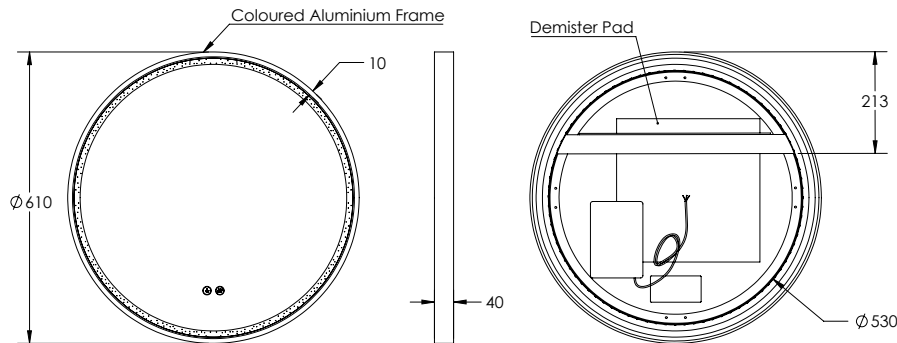
CCT	2700K - 6500K
CRI	>80

INSTALLATION

Wall mount
Hardwire
Input voltage: 220-240v 50Hz

FEATURES

Copper Free Mirror
LED Lighting (Adjustable Colour Temperature)
Frontlit
Touch Sensor
Demister with 1 Hour Auto Cut-off
Coloured Aluminium Frame



FINISHES

PRODUCT CODE

Matt Black



S60D-MB

Gun Metal



S60D-GM

Brushed Nickel



S60D-BN

Rose Gold



S60D-RG

Brushed Brass



S60D-BB



Disclaimer: All LED Products requiring hardwiring must be installed by a licensed electrician in accordance with local regulations. Sizes are in mm and nominal and should be checked prior to installation. Actual colours may vary so please check colour samples before ordering. Installation is acceptance of our products. Installation of faulty, warped, chipped or damaged products will void our warranty.