

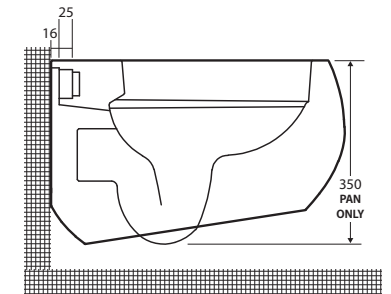
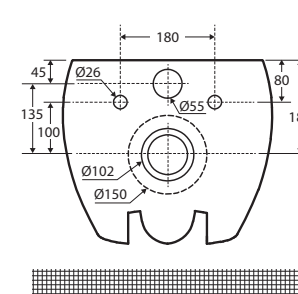
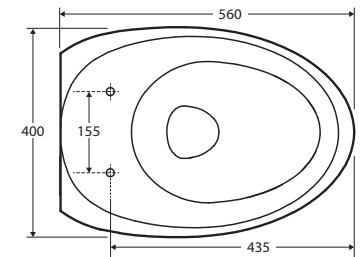
RAK Cloud WALL-HUNG TOILET

RAK
CERAMICS

Features

- Rimless hygienic flush
- Matte white finish
- Concealed trap for easy cleaning
- UF quick release, soft close seat
- Available as P-Trap only
- Hidden fixations – no lateral holes
- Made in UAE
- **WELS 4 Star rated, 4.5L/3.1L (3.4L average flush)**

Please note: Cistern and flush buttons required (sold separately)



Available in



P-Trap
Pan & Seat
750050MW

Cleaning & Care

- The toilet seat may be removed for cleaning - depress the quick release buttons and lift up.
- Clean only with a soft cloth or sponge using warm water and mild soap or detergent. Do not use any abrasive cleaning materials.
- Do not use any solvents or corrosive liquids.
- Note that use of clip-on deodorisers will affect flushing performance on rimless suites.



While we aim to ensure specifications are correct at the time of publication, Fienza reserves the right to make modifications without prior notice. Physical colour may vary from image shown. All measurements are shown in millimetres. For ceramic products, please allow +/- 10 mm tolerance for manufacturing variance. Always use physical product measurements for mark-ups and roughing-in as the technical drawing may differ from actual product received.

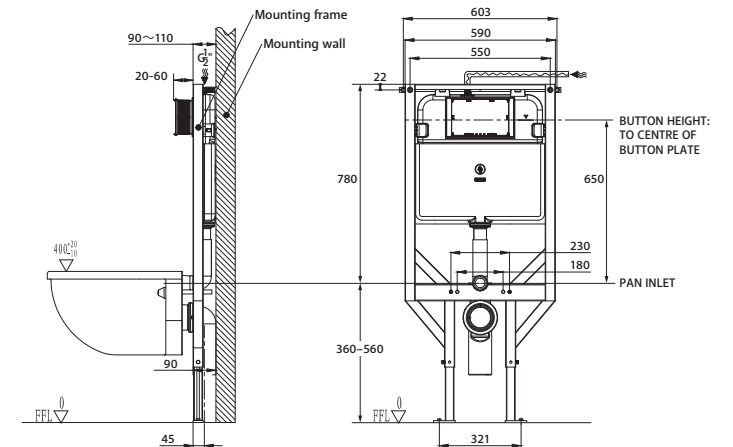
R&T

IN-WALL CISTERN & FRAME

FOR WALL-HUNG PANS

Features

- Suits wall-hung pans
- Operating pressure 10-1000 kpa
- Fits 90mm stud wall
- HDPE one-piece tank
- **WELS 4 Star rated, 4.5L/3L (3.3L average flush)**



While we aim to ensure specifications are correct at the time of publication, Fienza reserves the right to make modifications without prior notice. Physical colour may vary from image shown. All measurements are shown in millimetres. Always use physical product measurements for mark-ups and roughing-in as the technical drawing may differ from actual product received.