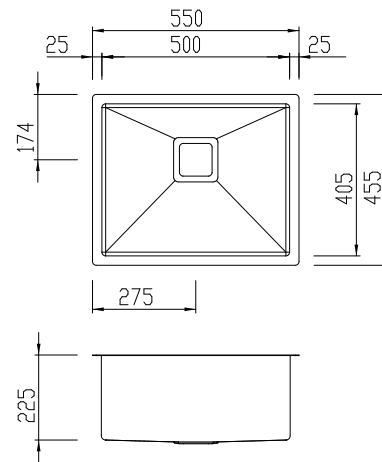


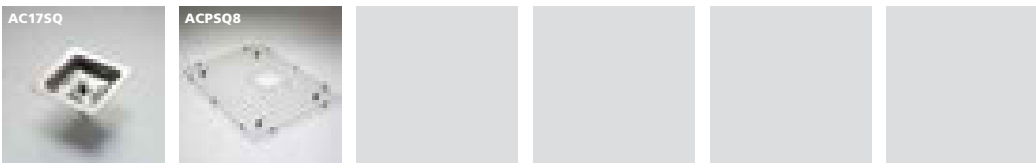
PR1180U

Professional Series

Oliveri®



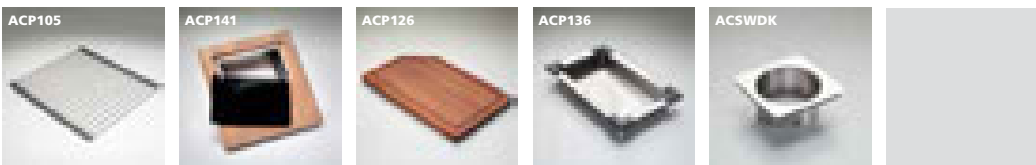
INCLUDED ACCESSORIES



RECOMMENDED TAPWARE



OPTIONAL ACCESSORIES



International collection™

Designed and engineered to our specifications and quality standards. Sourced from our international supplier.

SPECIFICATIONS

Description

Single bowl undermount sink

Sink Size

550W x 455H

Grand Bowl

500W x 405H x 225D / 46L

Construction	Fabricated with 10mm radius corners, Softtone™ and soundproofing.
Material	304 grade, 18/10 brushed stainless steel (1.5mm thick)
Installation	Undermount recommended.
Fixings	Undermount clips supplied
Cut Out Template	oliverisinks.com
Min Cabinet Size	600mm
Tap holes	n/a
Waste fittings	1 x 90mm square basket waste included
Overflow	Not available
Carton Size	525 x 620 x 290mm
Weight	10.0kg
Warranty	Lifetime manufacturer's warranty (refer to oliverisinks.com)

For more information call **1300 13 7465** or visit **www.oliverisinks.com**

