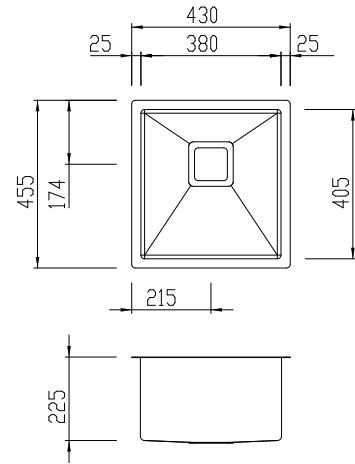


# PR1130U

## Professional Series

Oliveri®



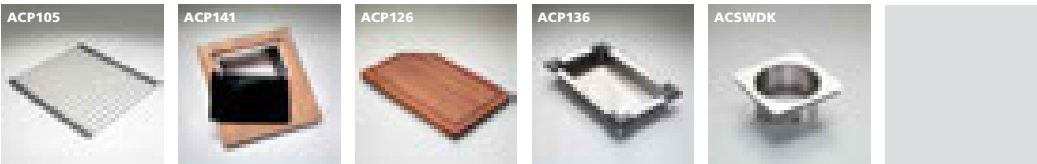
### INCLUDED ACCESSORIES



### RECOMMENDED TAPWARE



### OPTIONAL ACCESSORIES



### International collection™

Designed and engineered to our specifications and quality standards. Sourced from our international supplier.

### SPECIFICATIONS

#### Description

Single bowl undermount sink

#### Sink Size

430W x 455H

#### 3/4 Bowl

380W x 405H x 225D / 35L

<b>Construction</b>	Fabricated with 10mm radius corners, Softtone™ and soundproofing.
<b>Material</b>	304 grade, 18/10 brushed stainless steel (1.5mm thick)
<b>Installation</b>	Undermount recommended.
<b>Fixings</b>	Undermount clips supplied
<b>Cut Out Template</b>	oliverisinks.com
<b>Min Cabinet Size</b>	500mm
<b>Tap holes</b>	n/a
<b>Waste fittings</b>	1 x 90mm square basket waste included
<b>Overflow</b>	Not available
<b>Carton Size</b>	520 x 500 x 290mm
<b>Weight</b>	8.6kg
<b>Warranty</b>	Lifetime manufacturer's warranty (refer to oliverisinks.com)

For more information call **1300 13 7465** or visit **www.oliverisinks.com**

