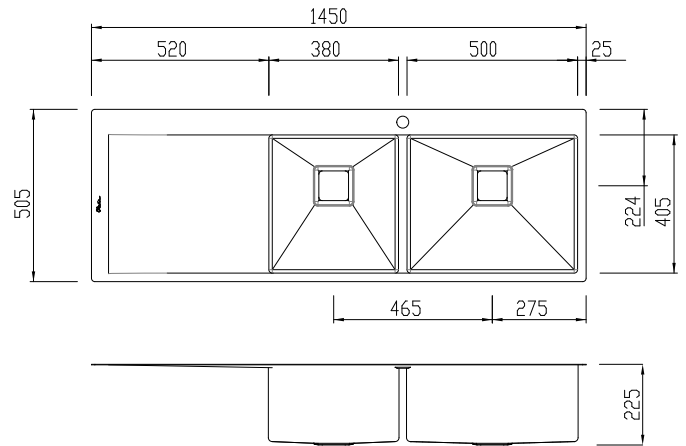


# PR1112

## Professional Series

Oliveri®

### RIGHT HAND BOWL SINK



### INCLUDED ACCESSORIES

AC175Q



ACP141



ACPSQ3



ACPSQ8



### RECOMMENDED TAPWARE

TN2010

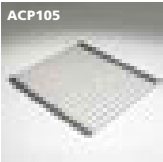


KE2030



### OPTIONAL ACCESSORIES

ACP105



ACP126



ACP136



ACSWDK



AC29



### International collection™

Designed and engineered to our specifications and quality standards. Sourced from our international supplier.

### SPECIFICATIONS

#### Description

1 & 3/4 bowl inset sink with drainer

#### Sink Size

1450W x 505H

#### Grand Bowl

500W x 405H x 225D / 46L

#### 3/4 Bowl

380W x 405H x 225D / 35L

#### Construction

Fabricated with 10mm radius corners, Softtone™ and soundproofing.

#### Material

304 grade, 18/10 brushed stainless steel (1.5mm thick)

#### Installation

Inset recommended.

#### Fixings

Topmount clips supplied

#### Cut Out Template

1430 x 485 x 10mm radius

#### Min Cabinet Size

1000mm

#### Tap holes

Available 1 tap hole only

#### Waste fittings

2 x 90mm square basket wastes included

#### Overflow

Not available

#### Carton Size

1550 x 595 x 290mm

#### Weight

24.0kg

#### Warranty

Lifetime manufacturer's warranty (refer to oliverisinks.com)

For more information call **1300 13 7465** or visit **www.oliverisinks.com**

