

## Product Specification Sheet



### Funl Surface Mount Basin Lilac – NOO1076

These gorgeous angled walls funnel down to a squared base to create an elegant bathroom masterpiece.

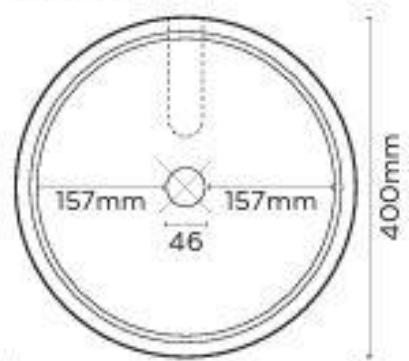
- ✓ Made from UHP Concrete
- ✓ 8.9L Bowl capacity
- ✓ No taphole
- ✓ No overflow
- ✓ Basin requires 32mm or 40mm plug and waste (sold separately)
- ✓ Each basin sold supports Carbon Positive Australia's tree planting program and reduces our carbon footprint
- ✓ Lilac finish

nood co.

#### AVAILABLE COLOURS



#### PLAN VIEW



#### SECTION VIEW

