

# GREAT GATSBY 450X1200D

PRODUCT CODE

GG45120D

## LED MIRROR

### SPECIFICATIONS

WIDTH	450mm
HEIGHT	1200mm
DEPTH	31mm
WEIGHT	10kg
ORIENTATION	Portrait/Landscape

### LIGHTING SPECIFICATIONS

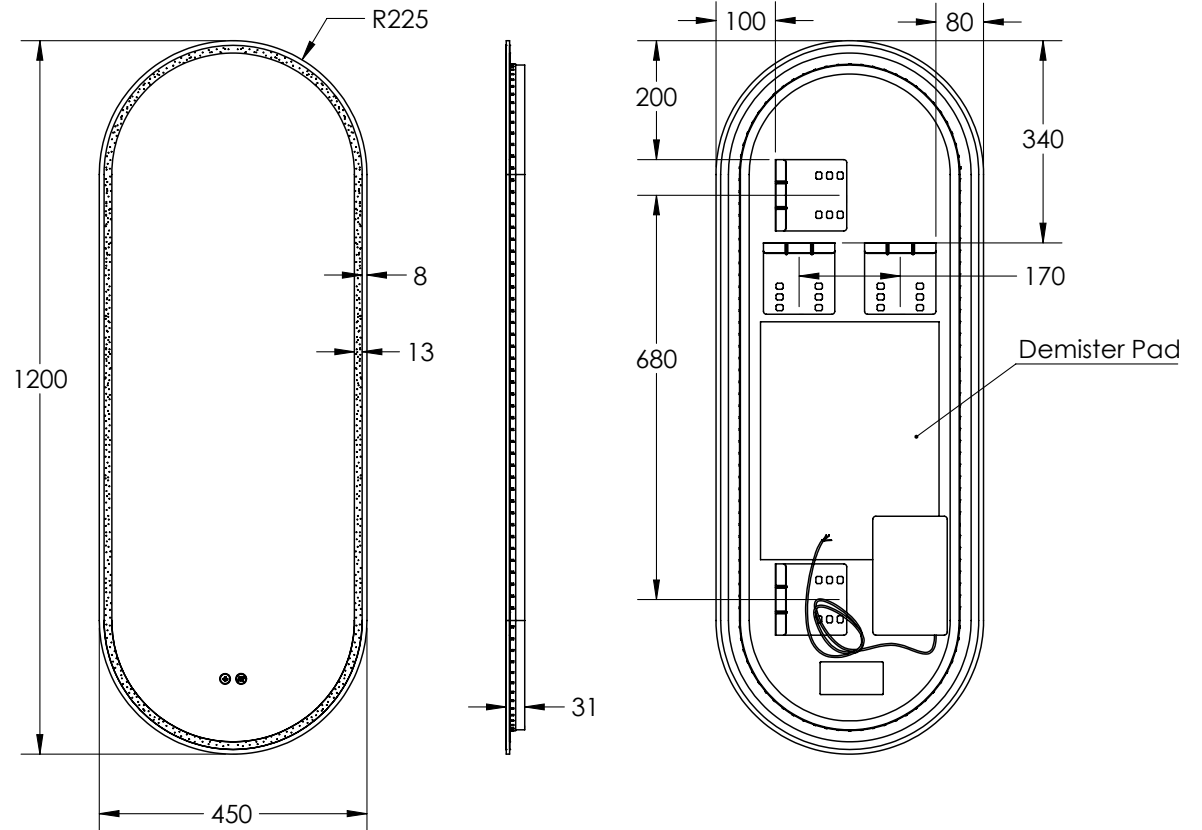
CCT	2700K - 6500K
CRI	>80

### INSTALLATION

Wall mount
Hardwire
Input voltage: 220-240v 50Hz

### FEATURES

Copper Free Mirror
LED Lighting (Adjustable Colour Temperature)
Backlit
Touch Sensor
Demister with 1 Hour Auto Cut-off



Disclaimer: All LED Products requiring hardwiring must be installed by a licensed electrician in accordance with local regulations. Sizes are in mm and nominal and should be checked prior to installation. Actual colours may vary so please check colour samples before ordering. Installation is acceptance of our products. Installation of faulty, warped, chipped or damaged products will void our warranty.

# GREAT GATSBY 450X1200D

## LED MIRROR WITH ALUMINIUM FRAME

### SPECIFICATIONS

WIDTH	460mm
HEIGHT	1210mm
DEPTH	40mm
WEIGHT	11kg
ORIENTATION	Portrait/Landscape

### LIGHTING SPECIFICATIONS

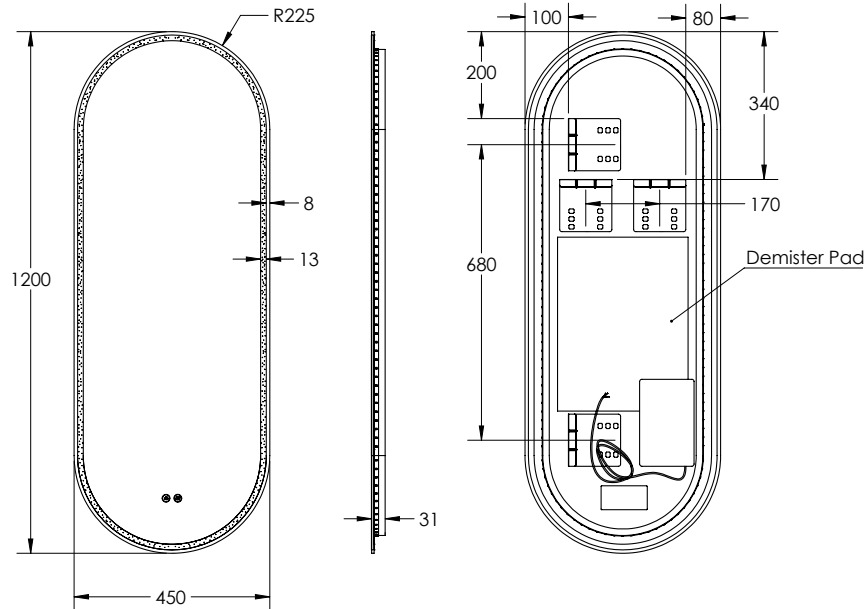
CCT	2700K - 6500K
CRI	>80

### INSTALLATION

Wall mount
Hardwire
Input voltage: 220-240v 50Hz

### FEATURES

Copper Free Mirror
LED Lighting (Adjustable Colour Temperature)
Backlit
Touch Sensor
Demister with 1 Hour Auto Cut-off



### FINISHES

### PRODUCT CODE

Matt Black

GG45120D-MB

Gun Metal

GG45120D-GM

Brushed Nickel

GG45120D-BN

Rose Gold

GG45120D-RG

Brushed Brass

GG45120D-BB



Disclaimer: All LED Products requiring hardwiring must be installed by a licensed electrician in accordance with local regulations. Sizes are in mm and nominal and should be checked prior to installation. Actual colours may vary so please check colour samples before ordering. Installation is acceptance of our products. Installation of faulty, warped, chipped or damaged products will void our warranty.