

# CAPSULE 450

## LED SHAVING CABINET

With Matte Black Aluminum Frame  
CR45D-MB



Matte Black

### SPECIFICATIONS

WIDTH	450mm
HEIGHT	900mm
DEPTH	143mm
WEIGHT	25kg
ORIENTATION	Portrait

### FEATURES

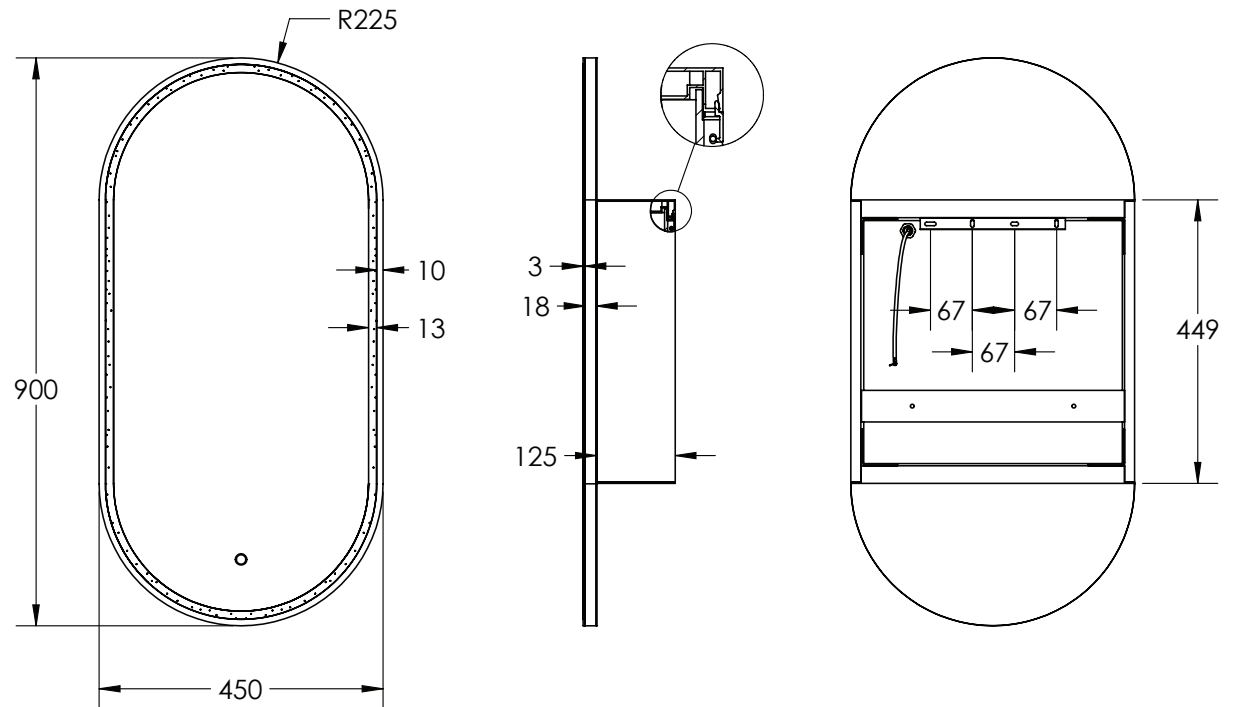
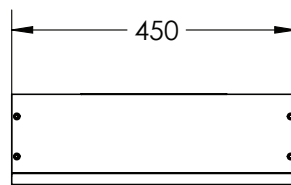
- Copper Free Mirror
- LED Lighting  
(Adjustable Colour Temperature)
- Frontlit
- Touch Sensor
- Demister
- Soft Close
- Concealed Wire Technology
- Adjustable Glass Shelves
- Single-Sided Mirror Door
- Semi-recessable

### LIGHTING SPECIFICATIONS

CCT	6500K – daylight
CRI	>80

### INSTALLATION

- Wall mount
- Hardwired
- Input voltage: 220-240v 50Hz
- Includes wall mount split batten
- Mounting holes are provided for semi-recessed mounting



Disclaimer: All LED Products requiring hardwiring must be installed by a licensed electrician in accordance with local regulations. Sizes are in mm and nominal and should be checked prior to installation. Actual colours may vary so please check colour samples before ordering. Installation is acceptance of our products. Installation of faulty, warped, chipped or damaged products will void our warranty.