

CAPSULE 450

LED SHAVING CABINET

With Brushed Brass Aluminum Frame
CR45D-BB



Brushed Brass

SPECIFICATIONS

| | |
|-------------|----------|
| WIDTH | 450mm |
| HEIGHT | 900mm |
| DEPTH | 143mm |
| WEIGHT | 25kg |
| ORIENTATION | Portrait |

FEATURES

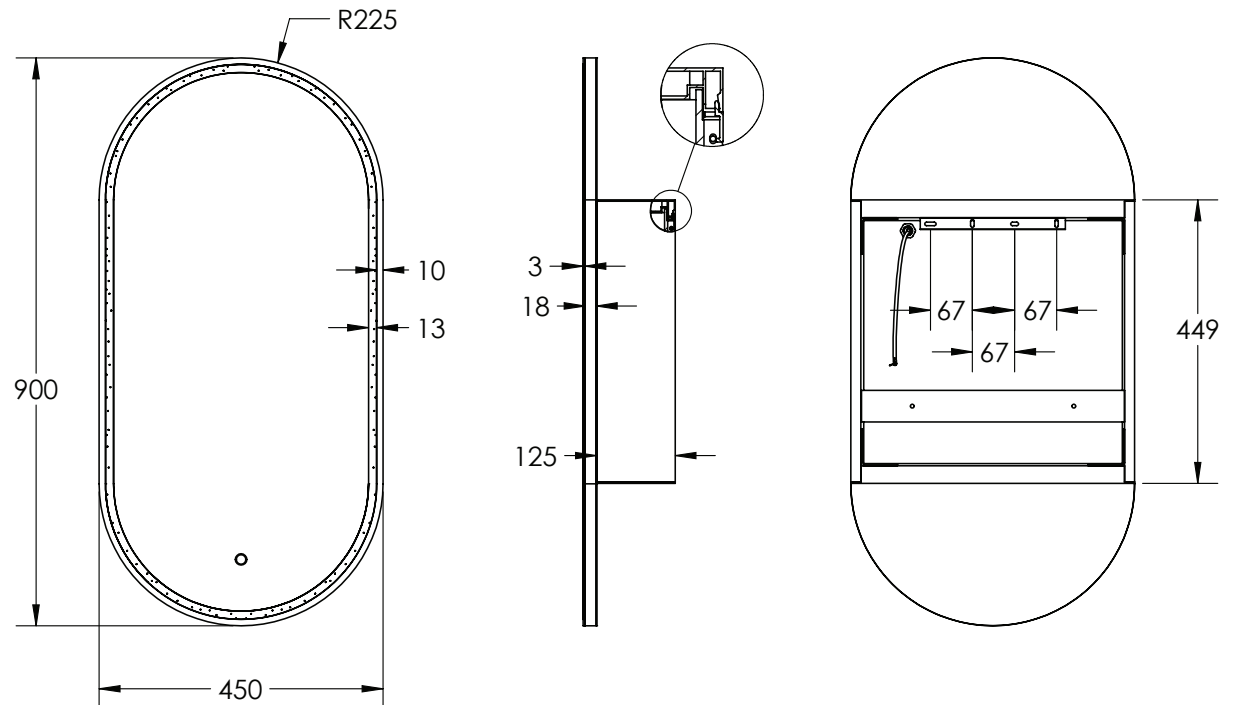
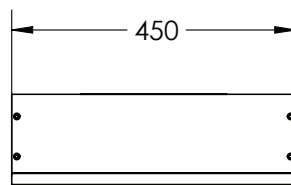
| |
|---|
| Copper Free Mirror |
| LED Lighting (Adjustable Colour Temperature) |
| Frontlit |
| Touch Sensor |
| Demister |
| Soft Close |
| Concealed Wire Technology |
| Adjustable Glass Shelves |
| Single-Sided Mirror Door |
| Semi-recessable |

LIGHTING SPECIFICATIONS

| | |
|-----|------------------|
| CCT | 6500K – daylight |
| CRI | >80 |

INSTALLATION

| |
|--|
| Wall mount |
| Hardwired |
| Input voltage: 220-240v 50Hz |
| Includes wall mount split batten |
| Mounting holes are provided for semi-recessed mounting |



Disclaimer: All LED Products requiring hardwiring must be installed by a licensed electrician in accordance with local regulations. Sizes are in mm and nominal and should be checked prior to installation. Actual colours may vary so please check colour samples before ordering. Installation is acceptance of our products. Installation of faulty, warped, chipped or damaged products will void our warranty.