

# CAPSULE 450

## LED SHAVING CABINET

**FINISH**

White Aluminium

**PRODUCT CODE**

CR45D

**SPECIFICATIONS**

WIDTH	450mm
HEIGHT	900mm
DEPTH	143mm
WEIGHT	25kg
ORIENTATION	Portrait

**FEATURES**

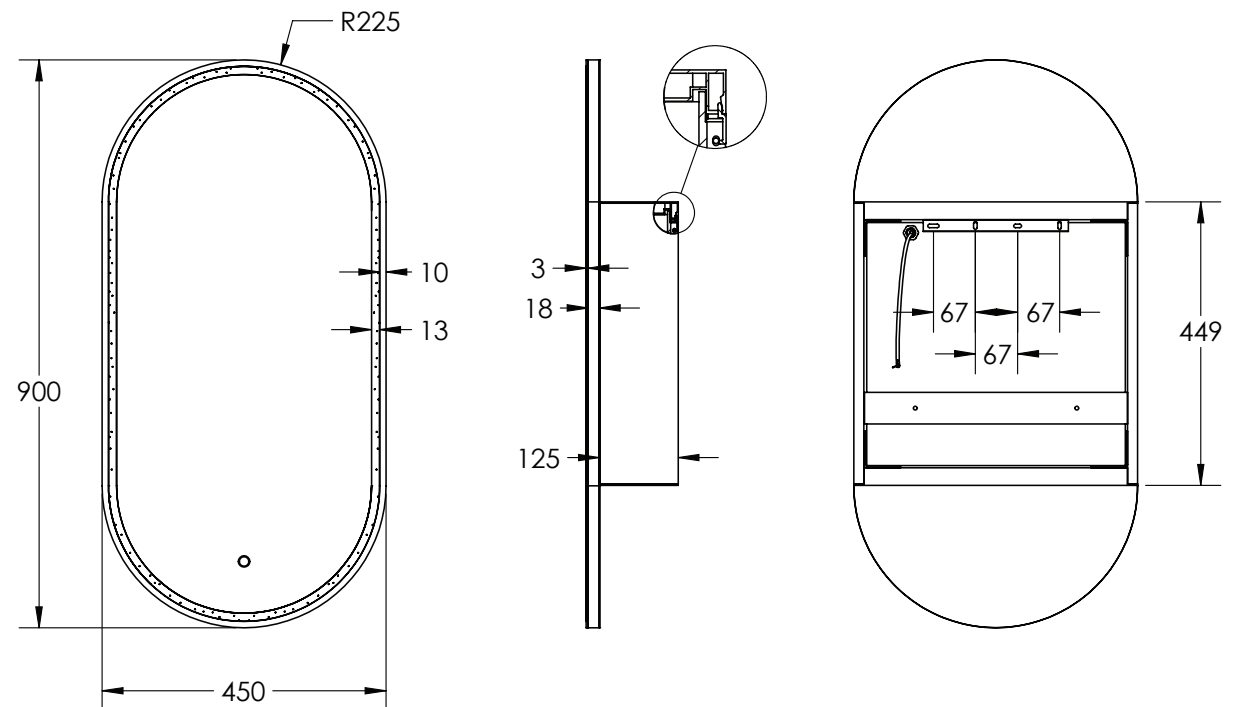
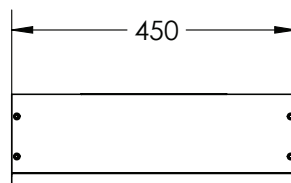
Copper Free Mirror
LED Lighting (Adjustable Colour Temperature)
Frontlit
Touch Sensor
Demister
Soft Close
Concealed Wire Technology
Adjustable Glass Shelves
Single-Sided Mirror Door
Semi-recessable

**LIGHTING SPECIFICATIONS**

CCT	6500K – daylight
CRI	>80

**INSTALLATION**

Wall mount
Hardwired
Input voltage: 220-240v 50Hz
Includes wall mount split batten
Mounting holes are provided for semi-recessed mounting



Disclaimer: All LED Products requiring hardwiring must be installed by a licensed electrician in accordance with local regulations. Sizes are in mm and nominal and should be checked prior to installation. Actual colours may vary so please check colour samples before ordering. Installation is acceptance of our products. Installation of faulty, warped, chipped or damaged products will void our warranty.