

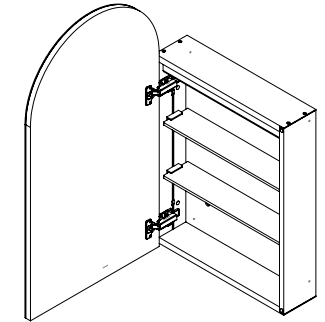
BLANCA 500

LED SHAVING CABINET

With Brushed Brass Aluminum Frame
BR50D-BB



Brushed Brass



SPECIFICATIONS

WIDTH	500mm
HEIGHT	900mm
DEPTH	146mm
WEIGHT	18.25kg
ORIENTATION	Portrait

FEATURES

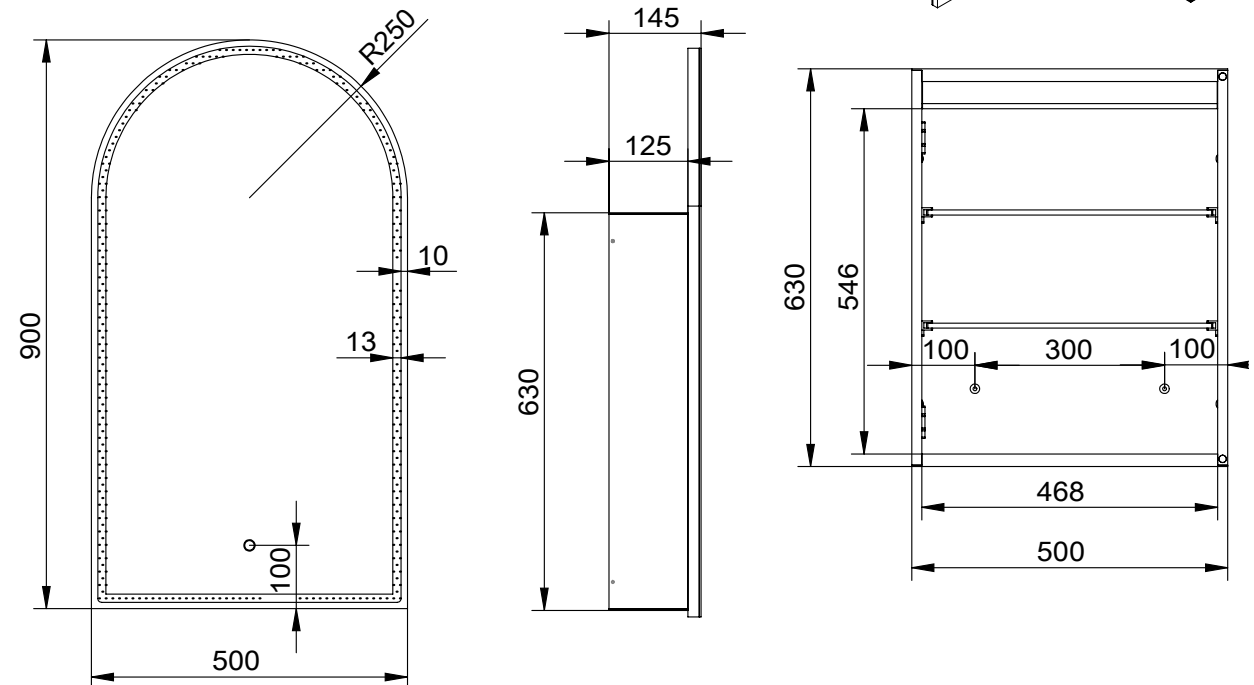
- Copper Free Mirror
- LED Lighting
- Frontlit
- Touch Sensor
- Demister
- Soft Close
- Concealed Wire Technology
- Two Adjustable Glass Shelves
- Single-Sided Mirror Door (door opens right to left)
- Semi-recessable

LIGHTING SPECIFICATIONS

CCT	6500K – daylight
CRI	>80

INSTALLATION

- Wall mount
- Hardwired
- Input voltage: 220-240v 50Hz
- Includes wall mount split batten
- Mounting holes are provided for semi-recessed mounting



Disclaimer: All LED Products requiring hardwiring must be installed by a licensed electrician in accordance with local regulations. Sizes are in mm and nominal and should be checked prior to installation. Actual colours may vary so please check colour samples before ordering. Installation is acceptance of our products. Installation of faulty, warped, chipped or damaged products will void our warranty.