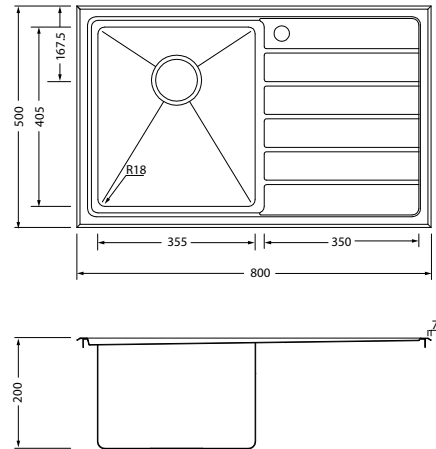


AP1421

Apollo

Oliveri®

LEFT HAND BOWL



INCLUDED ACCESSORIES



RECOMMENDED TAPWARE



OPTIONAL ACCESSORIES



SPECIFICATIONS

Description

Single bowl inset sink with drainer

Sink Size

800W x 500H

Main Bowl

355W x 405H x 200D / 29L

Construction

Fabricated with 18mm radius corners, Softtone® and soundproofing.

Material

304 grade, 18/10 brushed stainless steel (1.2mm thick)

Installation

Inset or undermount

Fixings

Topmount clips supplied

Cut Out Template

780 x 480 x 10mm radius

Min Cabinet Size

500mm

Tap holes

Available 1 tap hole only (suitable for additional tap holes)

Waste fittings

1 x 90mm basket waste included

Overflow

Not available

Carton Size

TBC

Weight

TBC

Warranty

Lifetime manufacturer's warranty (refer to oliverisinks.com)

For more information call **1300 13 7465** or visit **www.oliverisinks.com**

