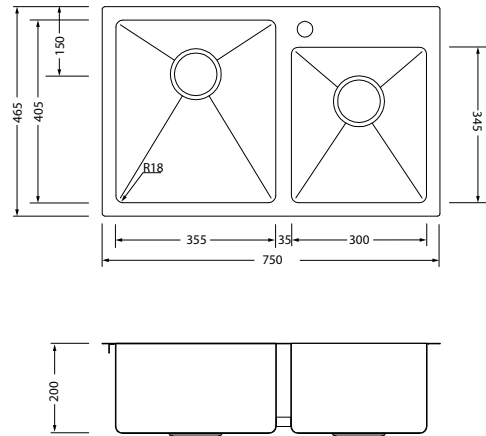


AP1415

Apollo

Oliveri®

LEFT HAND MAIN BOWL



INCLUDED ACCESSORIES



RECOMMENDED TAPWARE



OPTIONAL ACCESSORIES



SPECIFICATIONS

Description

1 & 3/4 bowl sink

Sink Size

750W x 465H

Main Bowl

355W x 405H x 200D / 29L

3/4 Bowl

300W x 345H x 200D / 21L

Construction

Fabricated with 18mm radius corners, Softtone® and soundproofing.

Material

304 grade, 18/10 brushed stainless steel (1.2mm thick)

Installation

Inset, undermount or flushmount

Fixings

Topmount clips supplied

Cut Out Template

oliverisinks.com

Min Cabinet Size

800mm

Tap holes

Available 1 tap hole only (suitable for additional tap holes)

Waste fittings

2 x 90mm basket wastes included

Overflow

Not available

Carton Size

810 x 525 x 270mm

Weight

14.0kg

Warranty

Lifetime manufacturer's warranty (refer to oliverisinks.com)

For more information call **1300 13 7465** or visit **www.oliverisinks.com**

